

## EW-M2068(L)-Y

Wiring methods:

Terminal blocks screw wiring inside the junction box

Housing Material: PA66

Seal Ring Material: Silicone Rubber

Terminal Material: Copper alloy

IP Rating: IP68

Fire Rating: UL94 V-0

Rated Voltage: 450V

Rated Current: 40A

Wire Section: 0.5~6mm<sup>2</sup>

Outer Cable Diameter: M25: 5-9mm, 9-12mm, 10-14mm

Ambient Temperature: -40°C~105°C

Warranty: 3 Years

### Packaging

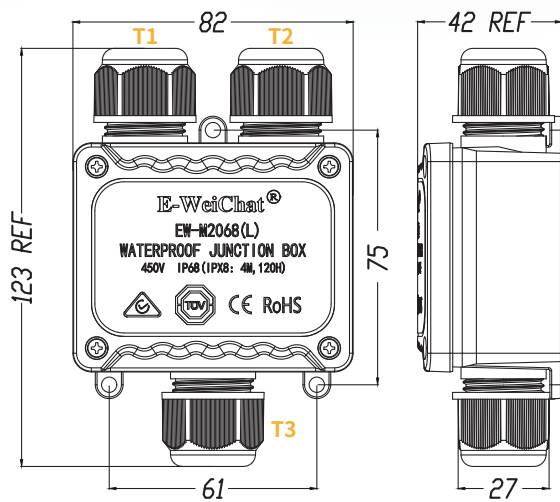
Export Carton (L\*W\*H): 54\*43\*30cm

Quantity: 1pcs / Zip bag

100pcs / CTN

Net Weight: 16.7KGs

Gross Weight: 17.7KGs



T1&T2&T3: M25



## Installation Illustration

