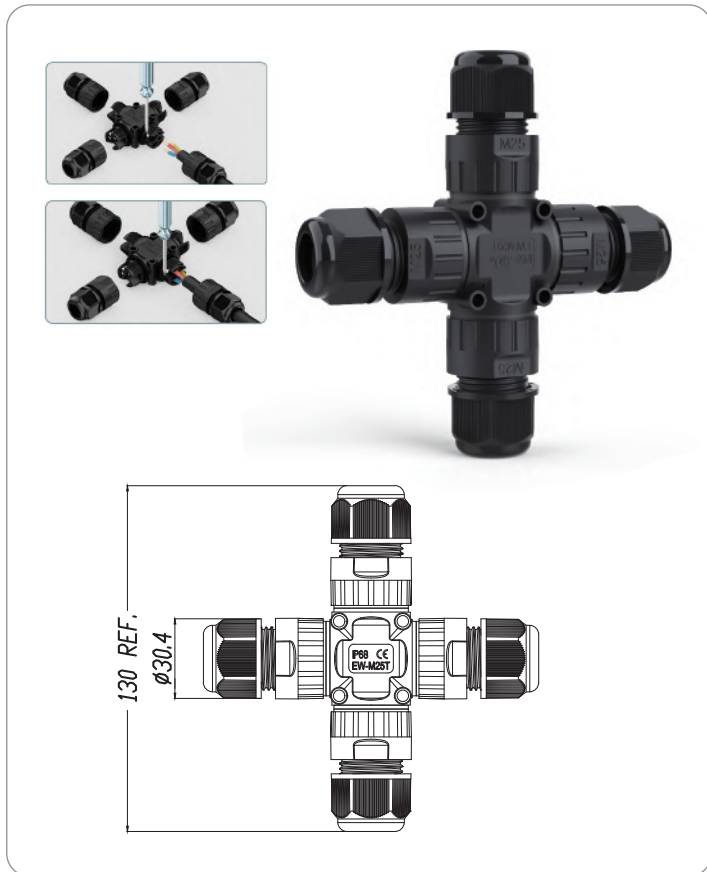


IP68 Waterproof Connector



EW-M25X-XP

(X can be 2/3, denoting the number of poles)

Wiring Method:

Screw wiring

Housing Material: PA66

Seal Ring Material: Silicone Rubber

Terminal Material: Copper alloy

IP Rating: IP68

Fire Rating: UL94 V-0

Rated Voltage: 450V

Rated Current: 41A

Wire Section: 0.5~6mm²

Outer Cable Diameter: 5-9mm, 9-12mm, 10-14mm

Ambient Temperature: -40°C~105°C

Warranty: 3 Years

Packaging

Export Carton (L*W*H): 42*30*34cm






Quantity: 10pcs / PE PACK

100pcs / CTN

Gross Weight: EW-M25X-2P --- 12KGs

EW-M25X-3P --- 12.8KGs

Options

Number of Poles	 2Pin	 3Pin	
Seal ring			
Cable range	5~9mm	9~12mm	10~14mm
Stripping length	8~10 mm		



Installation Illustration

