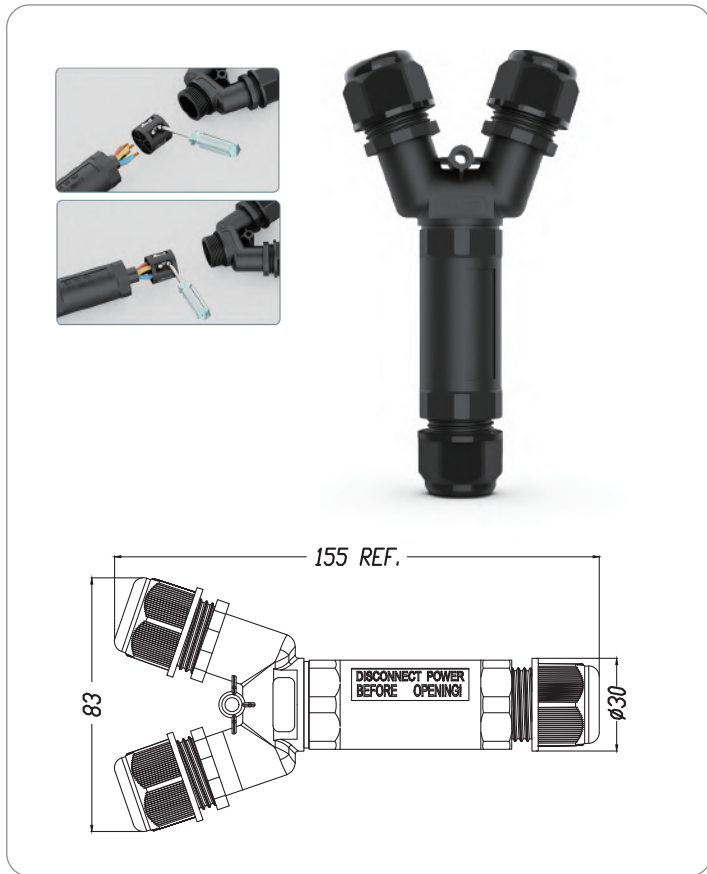


IP68 Waterproof Connector



EW-M25Y-XP

(X can be 2/3/4/5, denoting the number of poles)

Wiring Method:

Screw wiring

Housing Material: PA66

Seal Ring Material: Silicone Rubber

Terminal Material: Copper alloy

IP Rating: IP68

Fire Rating: UL94 V-0

Rated Voltage: 450V

Rated Current: 32A

Wire Section: 0.5~4mm²

Outer Cable Diameter: 5-9mm, 9-12mm, 10-14mm

Ambient Temperature: -40°C~105°C

Warranty: 3 Years

Packaging

Export Carton (L*W*H): 42*30*34cm

Quantity: 20pcs / PE PACK

140pcs / CTN

Gross Weight: EW-M25Y-2P --- 12.8KGs

EW-M25Y-3P --- 13.2KGs

EW-M25Y-4P --- 13.8KGs

EW-M25Y-5P --- 14.5KGs



Options

Number of Poles	2Pin	3Pin	4Pin	5Pin
Seal ring				
Cable range	5~9mm	9~12mm	10~14mm	
Stripping length	8~10 mm			

Installation Illustration

