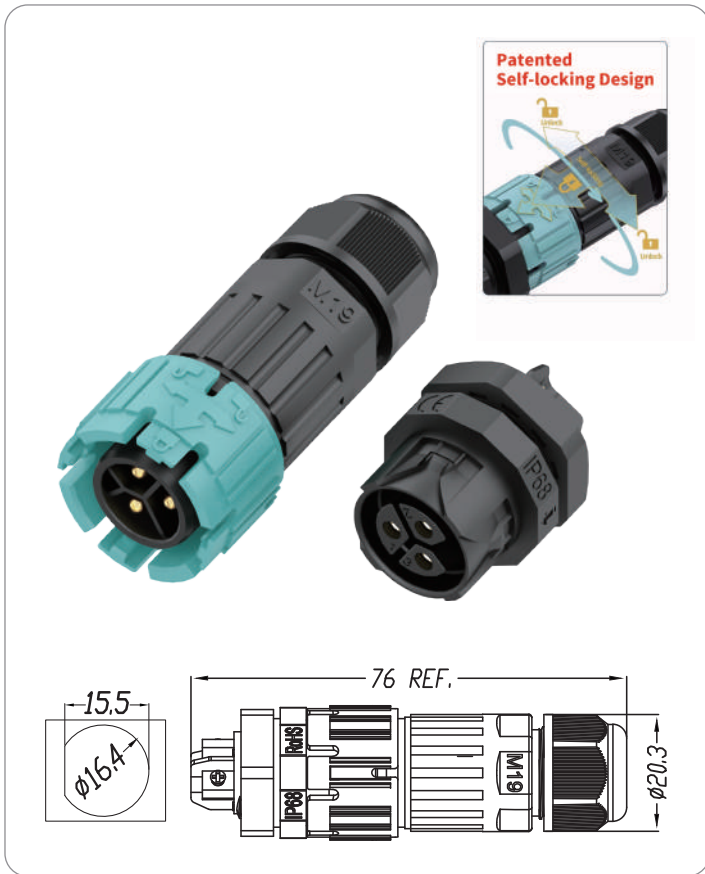


IP68 Waterproof Connector



EW-M19MP-XP (Rear Panel Mount)

(X can be 2/3/4/5, denoting the number of poles)

Wiring methods:

Welding connection: Suitable for 2/3/4/5 pins

Screw connection: Suitable for 2/3 pins

Housing Material: PA66

Seal Ring Material: Silicone Rubber

Terminal Material: Copper alloy

IP Rating: IP68

Fire Rating: UL94 V-0

Rated Voltage: 450V

Rated Current: 2/3 pins: 20A; 4/5 pins: 16A

Wire Section: 2/3 pins: 0.5~2.5mm²; 4/5 pins: 0.5~1.5mm²

Outer Cable Diameter: 3.5-7mm, 5-8mm, 7-10mm

Pluggable Life: 1,500 times

Ambient Temperature: -40°C~105°C

Warranty: 3 Years

Packaging

Export Carton (L*W*H): 42*30*26cm

Quantity: 100pcs / PE PACK (Male & Female end packed individually)

500 sets / CTN

Gross Weight: Est. 21KGs(The actual weight will be a little

bit different per different SKUs)



Options

Number of Poles	2Pin	3Pin	4Pin	5Pin
Seal ring				
Cable range	3.5~7mm	5~8mm	7~10mm	
Stripping length	6~7mm			

Installation Illustration

