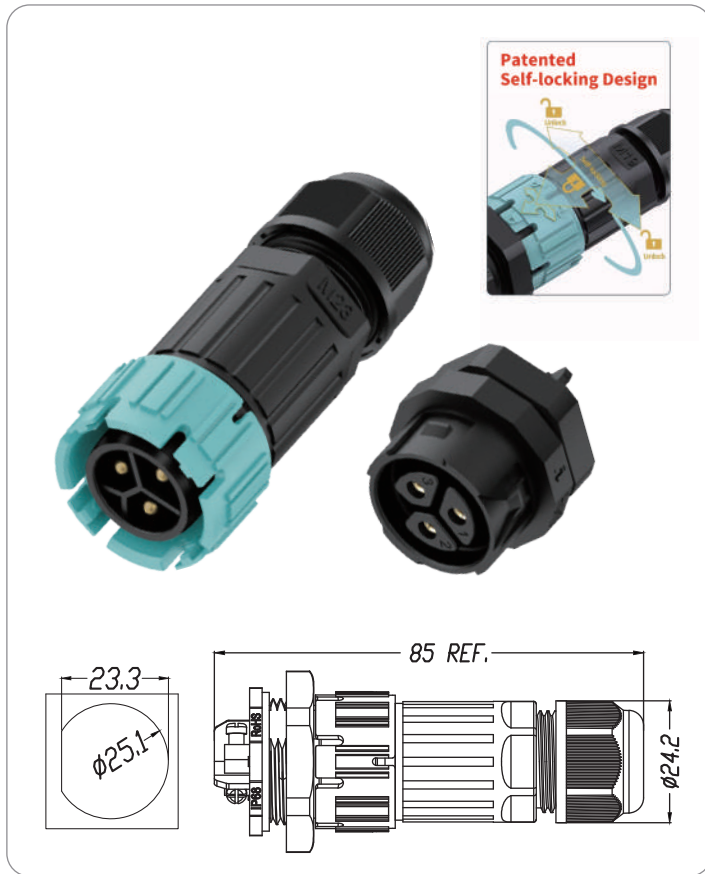


IP68 Waterproof Connector



EW-M23MP-XP (Front Panel Mount)

(X can be 2/3/4/5, denoting the number of poles)

Wiring methods:

Welding connection: Suitable for 2/3/4/5 pins

Screw connection: Suitable for 2/3/4/5 pins

Housing Material: PA66

Seal Ring Material: Silicone Rubber

Terminal Material: Copper alloy

IP Rating: IP68

Fire Rating: UL94 V-0

Rated Voltage: 450V

Rated Current: 2/3 pins: 30A; 4/5 pins: 16A

Wire Section: 2/3 pins: 0.5~4mm²; 4/5 pins: 0.5~2.5mm²

Outer Cable Diameter: 5-9mm, 9-12mm

Pluggable Life: 1,500 times

Ambient Temperature: -40°C~105°C

Warranty: 3 Years

Packaging

Export Carton (L*W*H): 42*30*34cm

Quantity: 50pcs / PE PACK (Male & Female end packed individually)

400 sets / CTN

Gross Weight: Est. 19KGs (The actual weight will be a little bit different per different SKUs)



Options

Number of Poles	2Pin	3Pin	4Pin	5Pin
Seal ring				
Cable range	5~9mm		9~12mm	
Stripping length	6~8mm			

Installation Illustration

