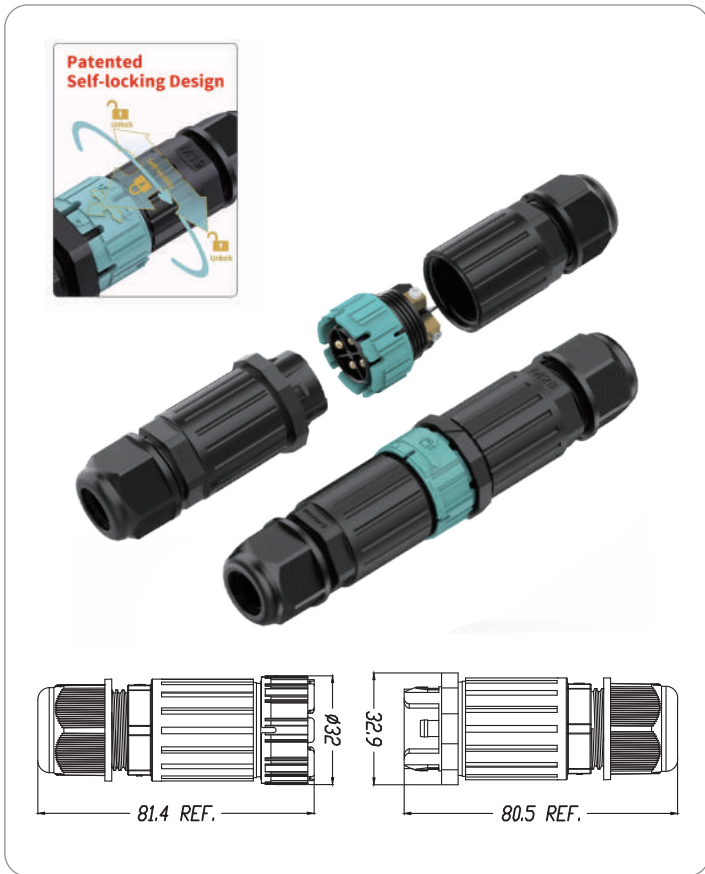


IP68 Waterproof Connector



EW-M28MF-XP

Male & Female Self-locking Screwless Fast Wiring Connector
(X can be 2/3/4/5/6, denoting the number of poles)

Wiring Method:

Soldering connection: Suitable for 2/3/4/5/6 pins

Screw connection: Suitable for 2/3/4/5/6 pins

Housing Material: PA66

Seal Ring Material: Silicone Rubber

Terminal Material: Copper alloy

IP Rating: IP68

Fire Rating: UL94 V-0

Rated Voltage: 450V

Rated Current: 2-4Pin: 50A; 5/6Pin: 20A

Wire Section: 2-4Pin: 0.5~6mm²; 5/6Pin: 0.5~2.5mm²

Outer Cable Diameter: 5-9mm, 9-12mm, 10-14mm

Pluggable Life: 1,500 times

Ambient Temperature: -40°C~105°C

Warranty: 3 Years

Packaging

Export Carton (L*W*H): 42*30*34cm

Quantity: 25pcs / PE PACK (Male & Female packed separately)

200 sets / CTN

Gross Weight: EW-M28MF-3P --- 16.5KGs

EW-M28MF-4P --- 17KGs

EW-M28MF-5P --- 18KGs



Options

Number of Poles	2Pin	3Pin	4Pin	5Pin	6Pin
Seal ring					
Cable range	5~9mm	9~12mm	10~14mm		
Stripping length	6~8mm				

Installation Illustration

